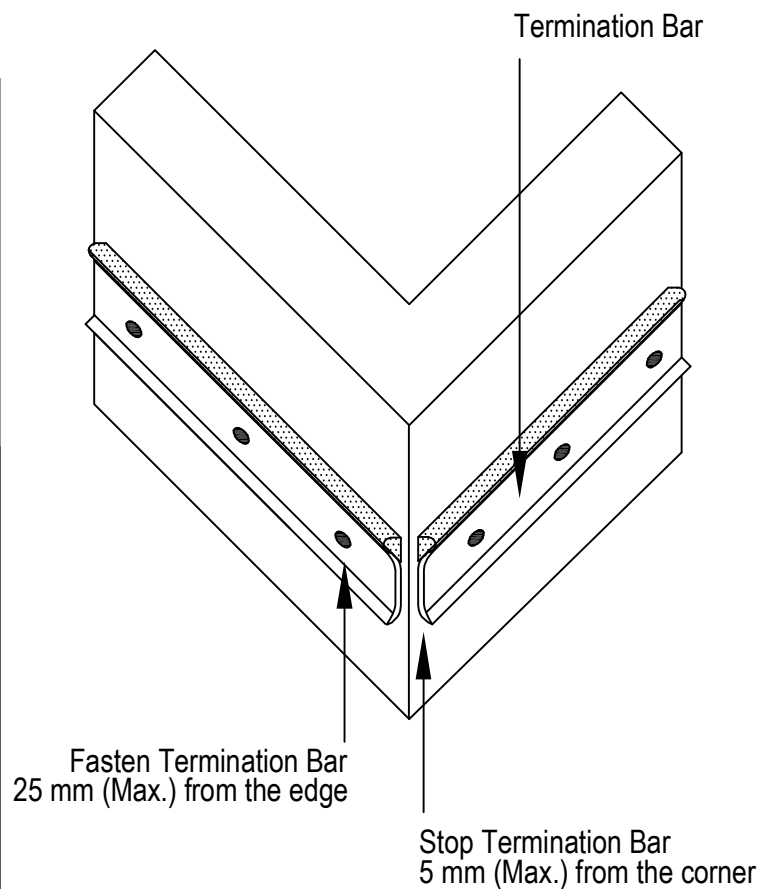
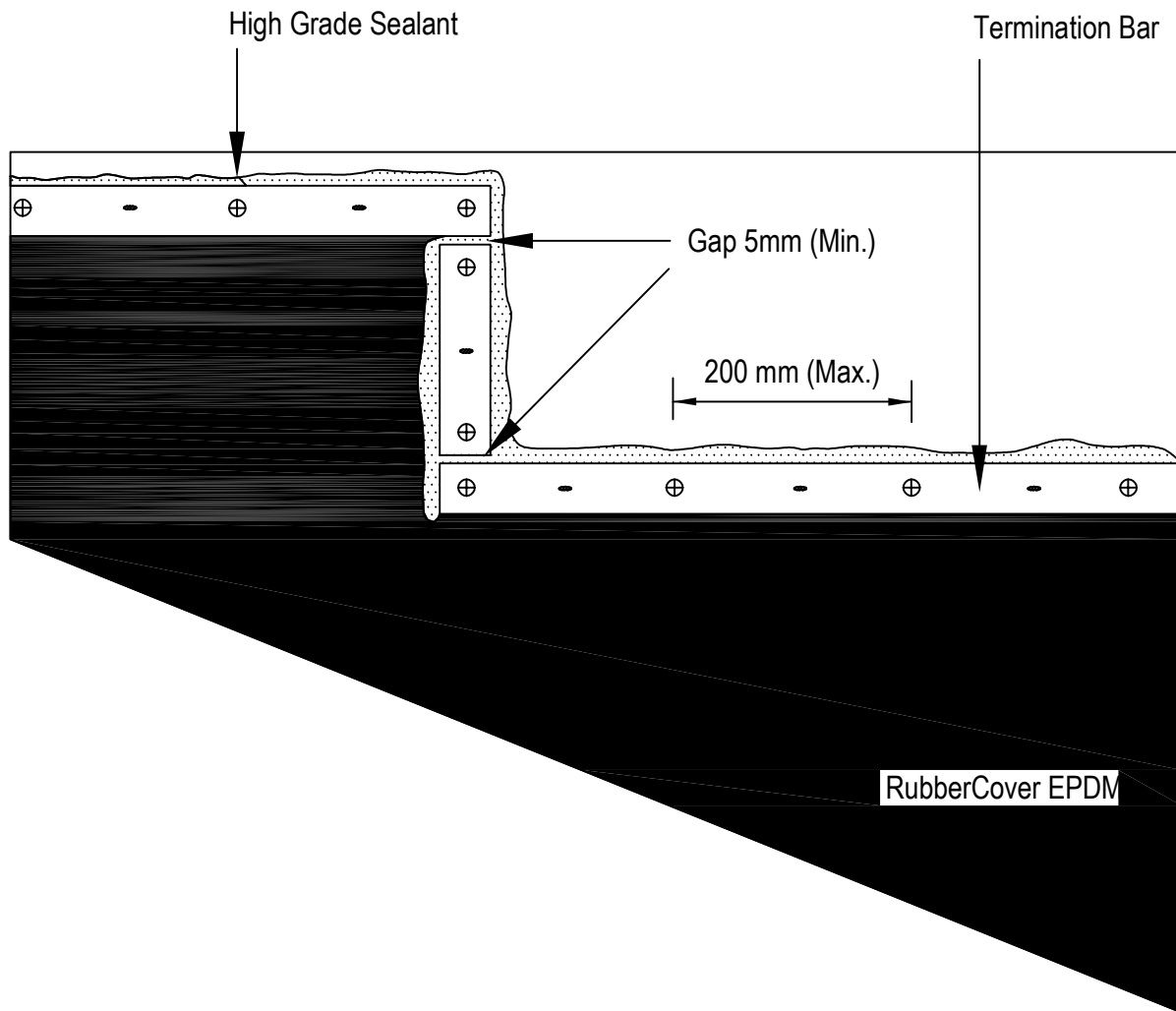


It is meant to offer professional advice and information for the proper use of its products. However, under no circumstances, shall FIRESTONE be construed as co-designer or co-builder of the finite set in which FIRESTONE products or services have been use and such assistances or advice shall not be construed as a warranty of any kind. Customer also bears the responsibility to ensure the project system design and legal use of FIRESTONE products complies with national regulations and applicable law. N Firestone representative or other person is authorized to vary this disclaimer.



NOTE: Termination Bar must be cut at all inside and outside corners.

	RubberCover™ EPDM		
	Termination Bar Connections		