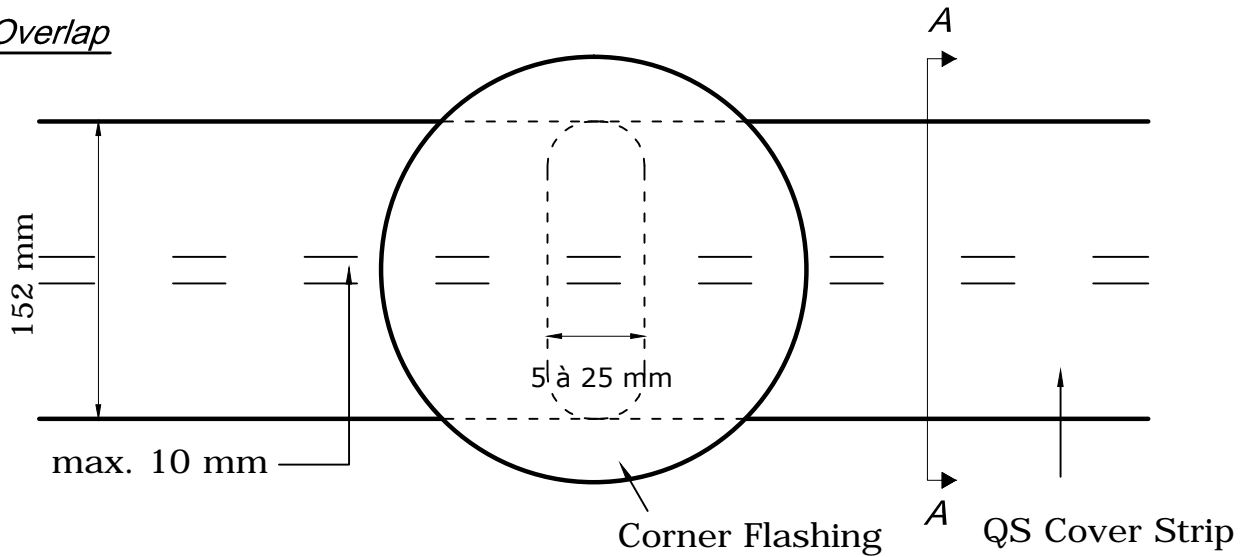
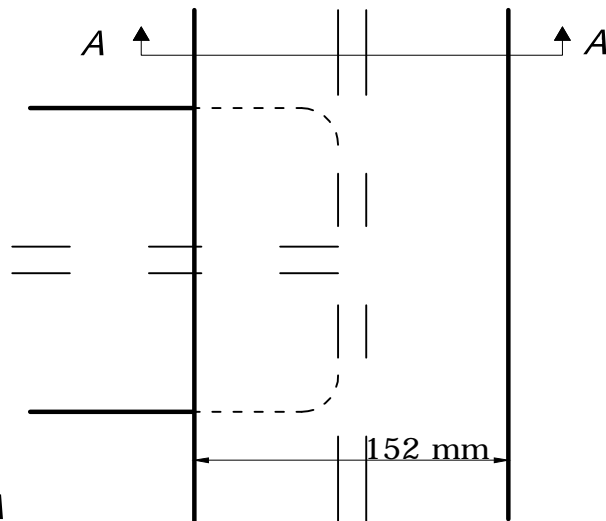


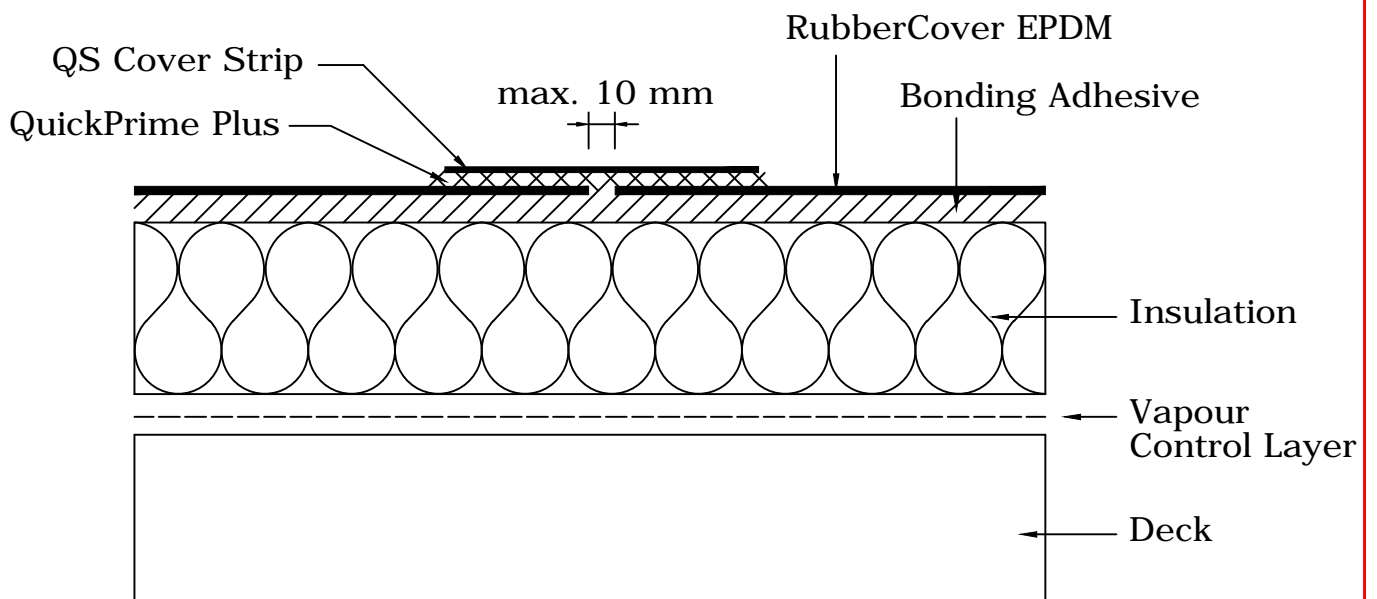
Seam Overlap



T-joint



Transversal section A-A



RubberCover EPDM

Splicing

No.: RC - E - LS - 1

08/2014

System

RC